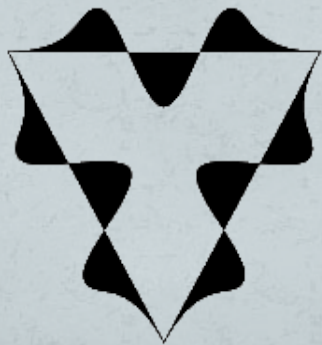


Welcome!!

- This is the 24th annual CREWES Sponsor Meeting.
- Thank you all for being here.
- We look forward to a fruitful interaction that will help define our 25th year.



CREWES

CREWES Project Update

Gary Margrave

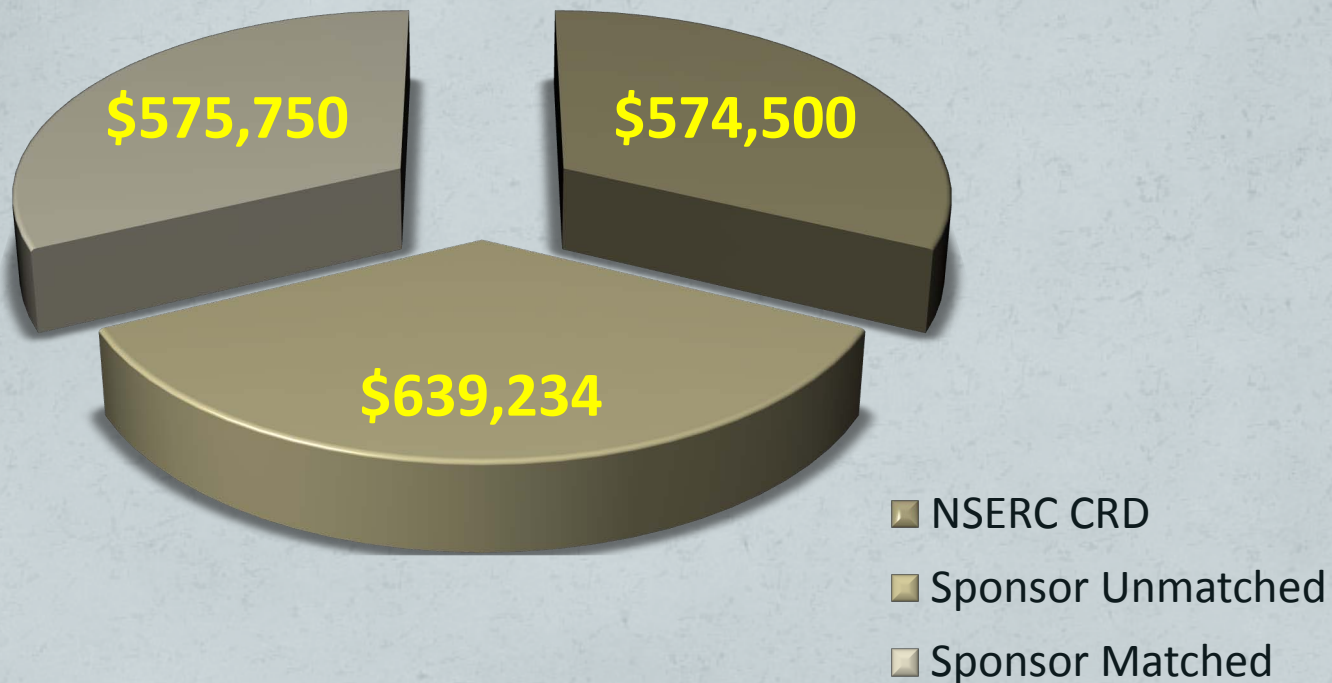


Project direction

- Our research priorities were most recently aligned in 2009 when we successfully attained a \$575,000 NSERC CRD grant.
- That grant defined us as “moving from migration to inversion”, while improving all aspects of the seismic method.
- We continue to emphasize developments in multicomponent and elastic methods.
- CRD grant expires in 2014 and we will be re-applying.

CREWES Revenue – 2012

Total Revenue for 2012: \$1,788,234



New Sponsors

Hewlett Packard
DownUnder GeoSolutions (Australia)
NWGI (CNPC)
PTTEP (Thailand)
Acceleware
Arcis (via TGS-NOPEC)

Guests

- Sinopec
- Fugro

Upcoming changes

- New contracts for all sponsors by 2014
- CREWES to pay 10% overhead in 2013 and 20% thereafter.
- CREWES must reapply for NSERC support in 2013.

Fieldwork

2011 ... Hussar low-frequency experiment.

2012 ... Priddis pulse-probe and array experiment.

2013 ... Wavefield evolution in the upper 150m.

Experimental wells

CREWES plans one or two 150m boreholes at our Priddis site.

Both will be cased and one will have a 40 level 3C tool permanently installed outside casing.

Planned drill date: Spring 2013

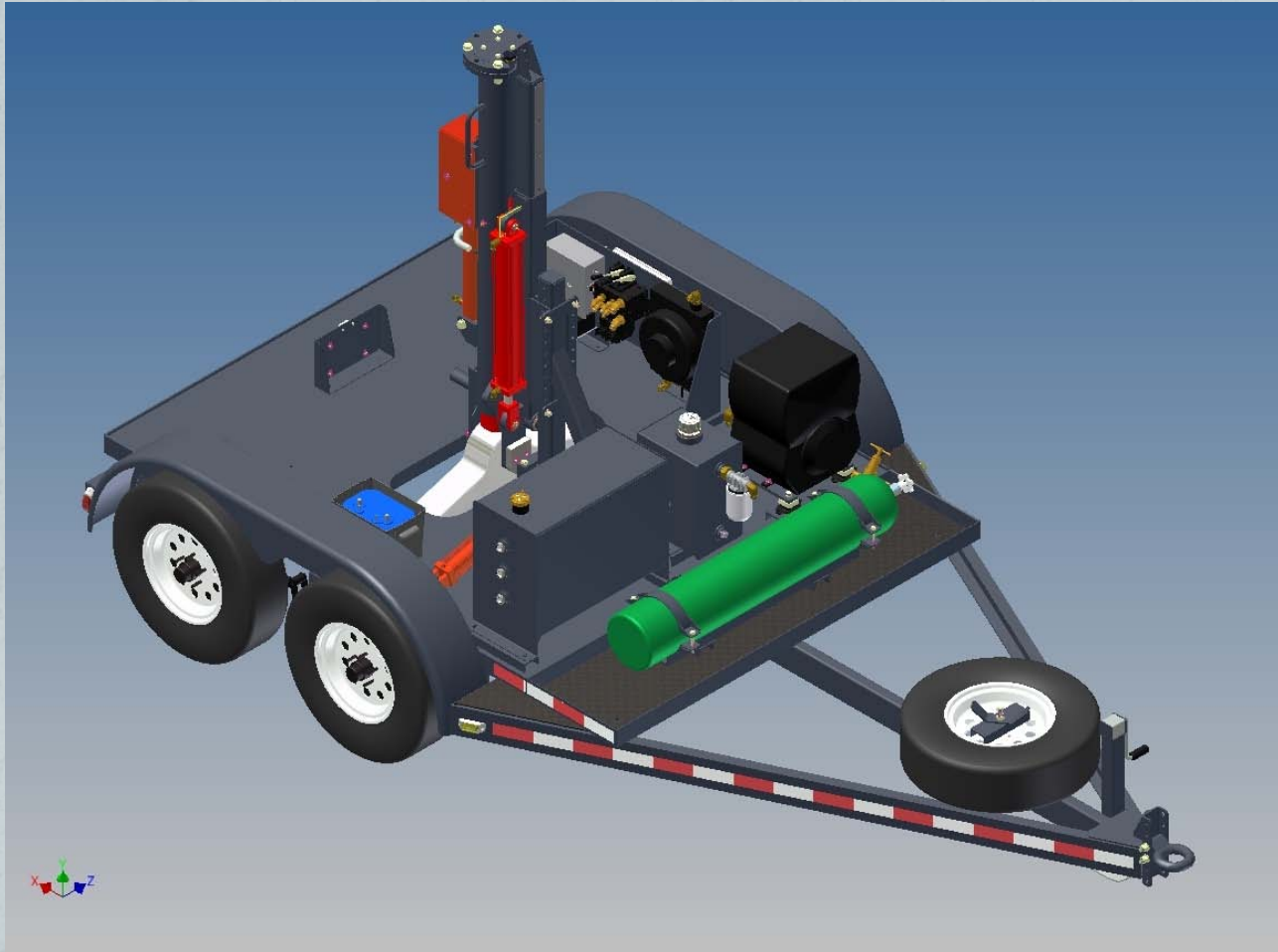
Interested sponsors should let us know.

Fibre optic accelerometers



Will be used in
2013 borehole
experiment.

Accelerated weight-drop P and S source



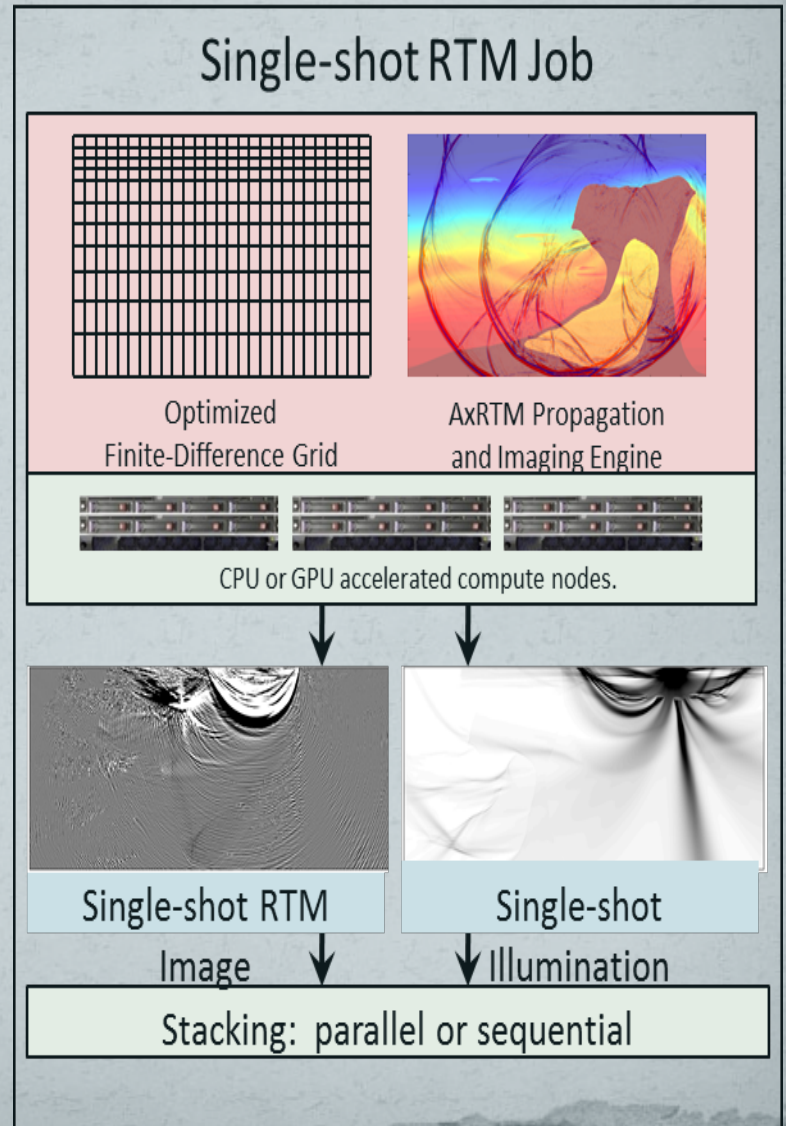
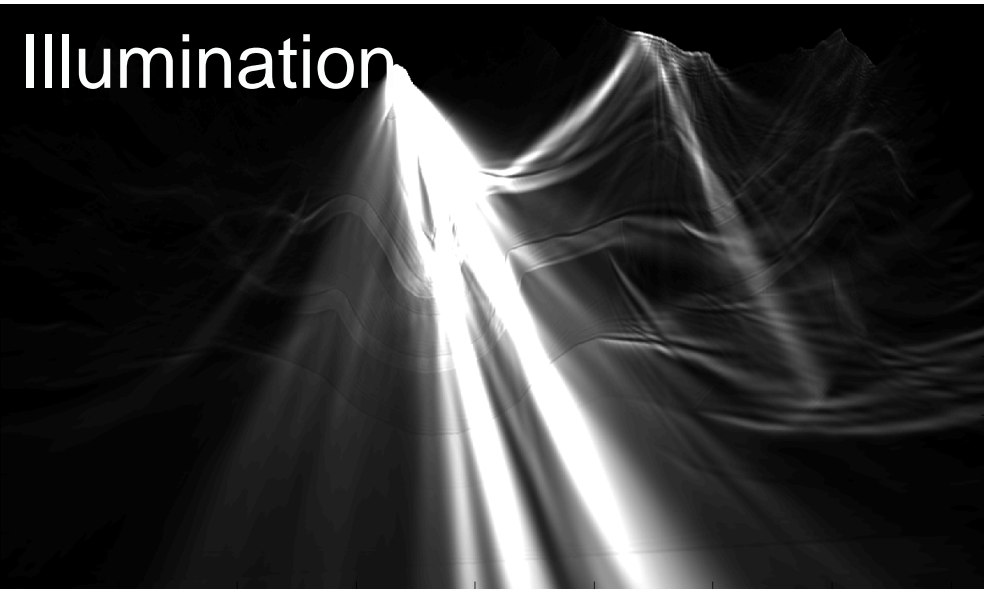
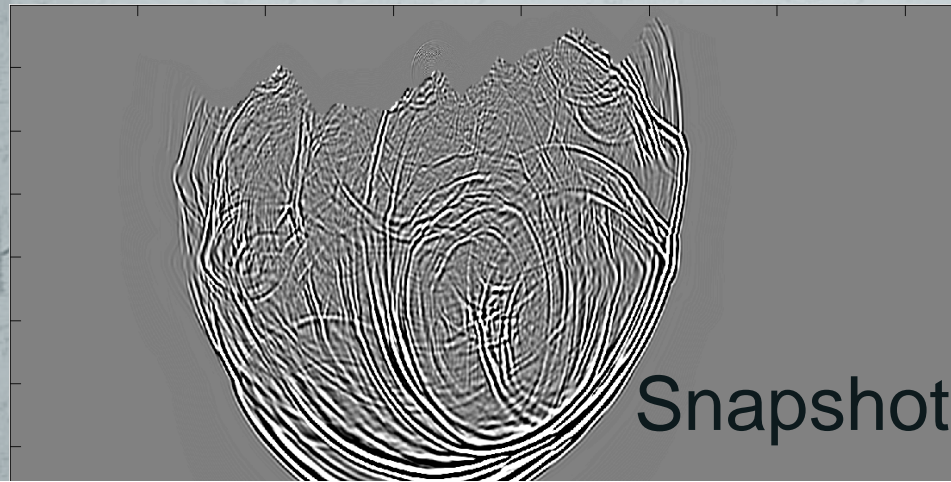
Accelerated weight-drop P and S source



Acceleware: 3D forward time modelling and RTM toolkit.

- Toolkit facilitates our plans for 3D imaging and FWI.
- C callable subroutines for GPU and CPU.
- Acoustic propagators with support for isotropic, VTI and TTI media.
- Elastic toolkit in development.

Acceleware: 3D forward time modelling and RTM toolkit.



This meeting:

- 85 Research reports on Memory Stick
- 30 Presentations
- 43 Posters
- New and updated software
 - EOM (Equivalent Offset Migration)
 - Reflectivity_fd
 - Syngram (with avo analysis)
 - Well-tying tools (well_tying)
 - 2D elastic finite difference (mFD2D)
- 90 sponsor representatives!!

This meeting:

- Last night's Icebreak sponsored by CGGVeritas!!!
- Special (this afternoon) "Reflections on P-S" interactive session. How can we get more value from our P-S data? Prepare your comments and questions.
- Banquet (drinks at 6:30 dinner at 7:00 in this room) Sponsored by Inova and Shell. Special speaker, Don Lawton, will present his "CSEG Distinguished Lecture" talk titled "Post-earthquake seismic reflection survey, Christchurch, New Zealand"